



Air Conditioning

SUBMITTAL DATA SHEET

MODEL: Heat Pump 60Hz - RHXYQ10ATL

PROJECT NAME:

Location:	Approval:
Engineer:	Date:
Submitted to:	Construction:
Submitted by:	Unit #:
Reference:	Drawing #:

FEATURES AND BENEFITS

Large capacity unit. A single VRV IV outdoor unit (RHXYQ-A) capacity ranges from 8 HP to 22 HP in increments of 2 HP, and the capacity of a triple outdoor unit system is up to 66 HP

Offers compact outdoor units to achieve maximum utilization of expensive space in modern buildings.

Long piping length provides more design flexibility, which can match even large-sized buildings.

High-efficiency DC Inverter Scroll Compressor with high-pressure and low-pressure chambers, which can dramatically enhance compression efficiency by making full use of the compression chamber.

VRT technology, automatically adjusts refrigerant temperature to individual building and climate requirement, thus further improving annual energy efficiency and maintaining comfort.

New generation intelligent control main PC board with SMT packaging that improves the anti-clutter performance and protects your computer boards from the adverse effect of sandy and humid weather.

Chip liquid-cooled isothermal technology which cools the main PC board with low temperature refrigerant and takes away large amount of heat emitted by main PC board.

Double Backup Operation Functions.

More Accurate Test Operation and Stable System.

EXTERNAL APPEARANCE

VRV IV



INVERTER **R-410A**



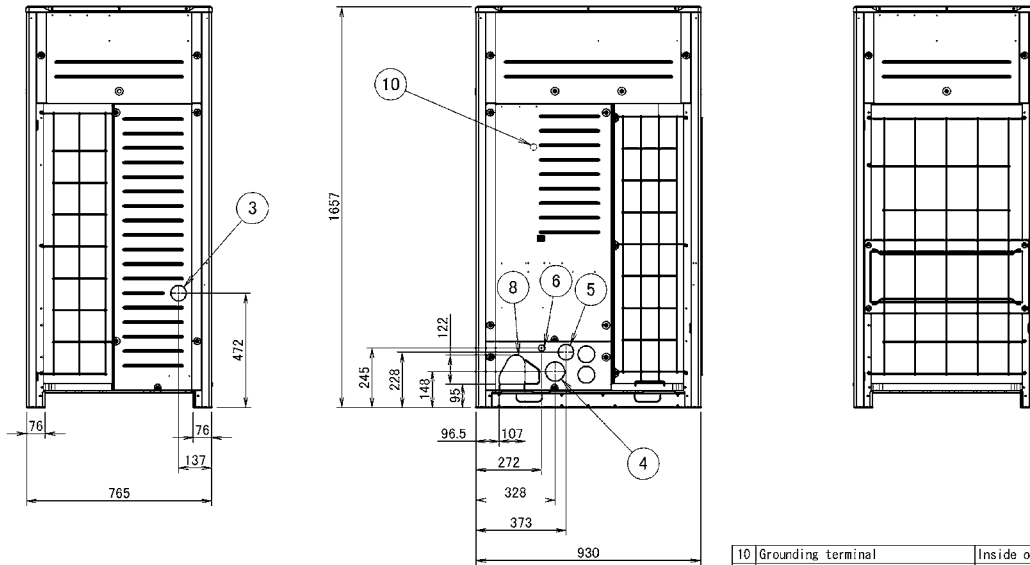
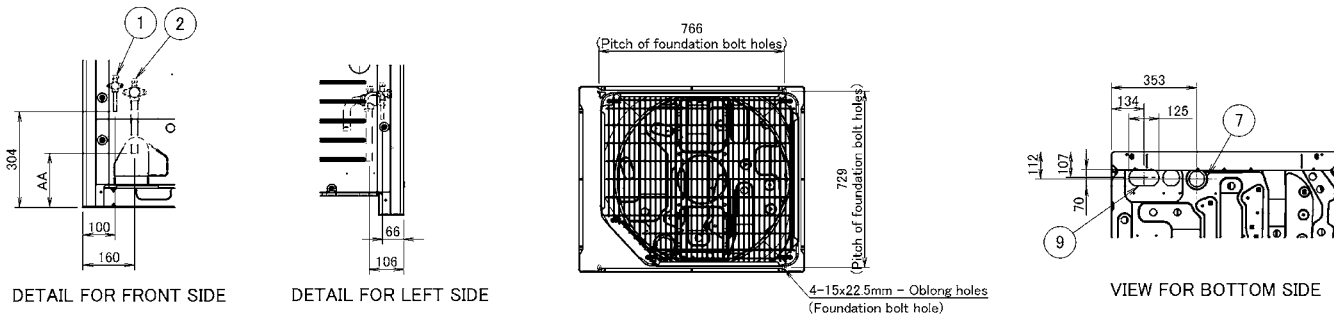
SPECIFICATIONS

Model Name		RHXYQ10ATL	
Power Supply		3 phase, 220V, 60Hz	
*1 Cooling Capacity	kcal/h	24,100	
	Btu/h	95,500	
	kW	28.0	
*2 Heating Capacity	kcal/h	27,100	
	Btu/h	107,000	
	kW	31.5	
Casing Color		Ivory White (5Y7.5/1)	
Dimensions: (H×W×D)		mm	1,657×930×765
Heat Exchanger		Cross Fin Coil	
Compressor	Type	Hermetically Sealed Scroll Type	
	Motor Output× Number of Units	kW	5.7×1
	Starting Method	Soft Start	
Fan	Type	Propeller Fan	
	Motor Output	kW	0.75×1
	Airflow Rate	m ³ /min	175
	Drive	Direct Drive	
Connecting Pipes	Liquid Pipe	mm	φ9.5 (Brazeing Connection)
	Gas Pipe	mm	φ22.2 (Brazeing Connection)
Mass		kg	191
*3 Sound pressure level		dB(A)	58
Safety Devices		High Pressure Switch, Fan Driver Overload Protector, Over Current Relay, Inverter Overload Protector	
Defrost Method		Reverse cycle defrosting	
Capacity Control		%	16-100
Refrigerant	Refrigerant Name	R410A	
	Charge	kg	6.0
	Control	Electronic Expansion Valve	
Refrigerator Oil		Refer to the nameplate of compressor	
Standard Accessories		Installation Manual, Operation Manual, Connection Pipes, Clamps	
Drawing No.	Specification	C: 4D083883A	
	Sound level	C: 4D091130	

Notes:

- *1. Indoor temp.: 27°CDB, 19°CWB / outdoor temp.: 35°CDB / Equivalent piping length: 7.5m, level difference: 0m.
- *2. Indoor temp.: 20°CDB / outdoor temp.: 7°CDB, 6°CWB / Equivalent piping length: 7.5m, level difference: 0m.
- *3. Anechoic chamber conversion value, measured at a point 1 m in front of the unit at a height of 1.5 m. During actual operation, these values are normally somewhat higher as a result of ambient conditions.
- 4. Refer to Capacity Tables for the power input (PI) (Compressor + Outdoor fan motor).

DIMENSIONS



MODEL	AA
RUXYQ8AB, RHXYQ8AYL, RHXYQ8ATL	175
RJXYQ10-12AB, RHXYQ10-12AYL, RHXYQ10-12ATL	161

NOTES:

1. DETAILS INDICATE THE DIMENSIONS AFTER FIXING THE ATTACHED PIPING.
 2. ITEMS 3 TO 9: KNOCK OUT HOLE.

3. GAS PIPE:
 019.1 BRAZING CONNECTION: RUXYQ8AB, RHXYQ8AYL, RHXYQ8ATL
 025.4 BRAZING CONNECTION: RUXYQ10, 12AB, RHXYQ10, 12AYL, RHXYQ10, 12ATL

LIQUID PIPE:
 09.5 BRAZING CONNECTION: RUXYQ8 12AB, RHXYQ8 12AYL, RHXYQ8 12ATL

No.	Parts name	Remarks
10	Grounding terminal	Inside of switch box (M6)
9	Pipe routing hole (bottom)	
8	Pipe routing hole (front)	
7	Power cord routing hole (bottom)	Ø65
6	Power cord routing hole (front)	Ø27
5	Power cord routing hole (front)	Ø65
4	Power cord routing hole (front)	Ø80
3	Power cord routing hole (side)	Ø65
2	Gas pipe connection port	See note 3.
1	Liquid pipe connection port	See note 3.

Unit (mm)
 3D081603C