



Air Conditioning

SUBMITTAL DATA SHEET

MODEL: Heat Pump 60Hz - RHXYQ26ATL

PROJECT NAME:

Location:	Approval:
Engineer:	Date:
Submitted to:	Construction:
Submitted by:	Unit #:
Reference:	Drawing #:

FEATURES AND BENEFITS

Large capacity unit. A single VRV IV outdoor unit (RHXYQ-A) capacity ranges from 8 HP to 22 HP in increments of 2 HP, and the capacity of a triple outdoor unit system is up to 66 HP

Offers compact outdoor units to achieve maximum utilization of expensive space in modern buildings.

Long piping length provides more design flexibility, which can match even large-sized buildings.

High-efficiency DC Inverter Scroll Compressor with high-pressure and low-pressure chambers, which can dramatically enhance compression efficiency by making full use of the compression chamber.

VRT technology, automatically adjusts refrigerant temperature to individual building and climate requirement, thus further improving annual energy efficiency and maintaining comfort.

New generation intelligent control main PC board with SMT packaging that improves the anti-clutter performance and protects your computer boards from the adverse effect of sandy and humid weather.

Chip liquid-cooled isothermal technology which cools the main PC board with low temperature refrigerant and takes away large amount of heat emitted by main PC board.

Double Backup Operation Functions.

More Accurate Test Operation and Stable System.

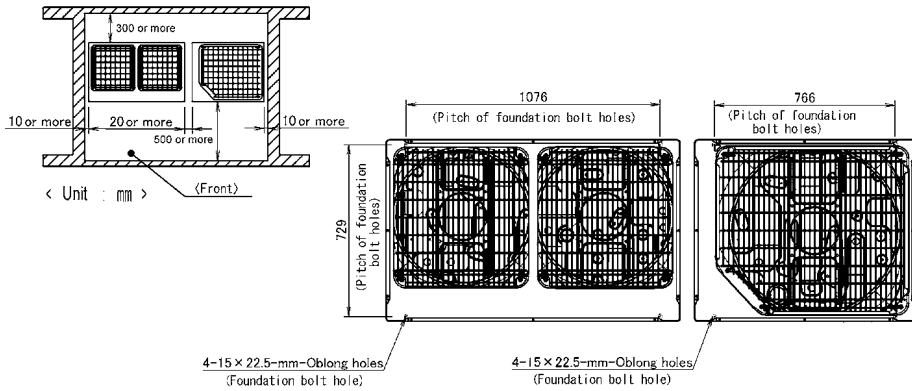
EXTERNAL APPEARANCE



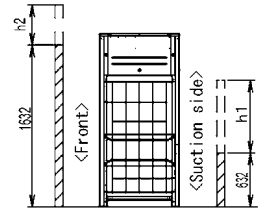
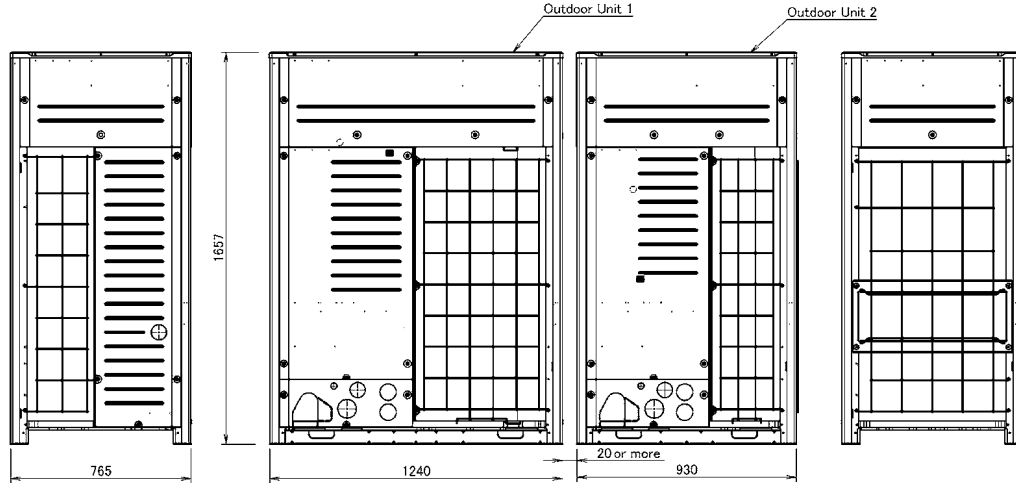
SPECIFICATIONS

Model Name		RHXYQ26ATL (RHXYQ10ATL + RHXYQ16ATL)	
Power Supply		3 phase, 220V, 60 Hz	
*1 Cooling Capacity	kcal/h	62,800	
	Btu/h	249,000	
	kW	73.0	
*2 Heating Capacity	kcal/h	70,100	
	Btu/h	278,000	
	kW	81.5	
Casing Color		Ivory White (5Y7.5/1)	
Dimensions: (H×W×D)		mm	(1,657×930×765)+(1,657×1,240×765)
Heat Exchanger		Cross Fin Coil	
Compressor	Type	Hermetically Sealed Scroll Type	
	Motor Output× Number of Units	kW	(5.7×1)+((4.6+5.0)×1)
	Starting Method	Soft Start	
Fan	Type	Propeller Fan	
	Motor Output	kW	(4.5×1)+(0.75×2)
	Airflow Rate	m ³ /min	175+260
	Drive	Direct Drive	
Connecting Pipes	Liquid Pipe	mm	φ19.1 (Brazeing Connection)
	Gas Pipe	mm	φ31.8 (Brazeing Connection)
Mass	kg	191+285	
*3 Sound pressure level	dB(A)	62	
Safety Devices		High Pressure Switch, Fan Driver Overload Protector, Over Current Relay, Inverter Overload Protector	
Defrost Method		Reverse cycle defrosting	
Capacity Control	%	5-100	
Refrigerant	Refrigerant Name	R410A	
	Charge	kg	6.0+6.9
	Control	Electronic Expansion Valve	
Refrigerator Oil		Refer to the nameplate of compressor	
Standard Accessories		Installation Manual, Operation Manual, Connection Pipes, Clamps	
Drawing No.	Specification	—	
	Sound level	—	
Notes:			
*1. Indoor temp.: 27°CDB, 19°CWB / outdoor temp.: 35°CDB / Equivalent piping length: 7.5m, level difference: 0m.			
*2. Indoor temp.: 20°CDB / outdoor temp.: 7°CDB, 6°CWB / Equivalent piping length: 7.5m, level difference: 0m.			
*3. Anechoic chamber conversion value, measured at a point 1 m in front of the unit at a height of 1.5 m. During actual operation, these values are normally somewhat higher as a result of ambient conditions.			
4. Refer to Capacity Tables for the power input (PI) (Compressor + Outdoor fan motor).			

DIMENSIONS



- Notes :
- Heights of walls
 - Front : 1632mm
 - Suction side : 632mm
 - Side : Height unrestricted
 - The installation space shown in this figure is based on the condition of cooling operation at the outdoor air temperature of 35°C. The installation space of suction side shown above must be expanded in the following case.
 - Design outdoor temperature becomes over 35°C.
 - Operating over Max. operating load (In case of causing a heavy heating load at indoor unit side)
 - If the above wall heights are exceeded then h1/2 and h2/2 should be added to the front and suction side service spaces respectively as shown in the following figure.
 - When installing the units the most appropriate pattern should be selected from those shown above in order to obtain the best fit in the space available always bearing in mind the need to leave enough room for a person to pass between units and wall and for the air to circulate freely. (If more units are to be installed than are catered for in the above patterns your layout should take account of the possibility of short circuits.)
 - The units should be installed to leave sufficient space at the front for the on site refrigerant piping work to be carried out comfortably.



MODEL	OUTDOOR UNIT 1	DWG. NO.	OUTDOOR UNIT 2	DWG. NO.
RHX YQ34ATL	RHX YQ22ATL	3D081604	RHX YQ12ATL	3D081603
RHX YQ32ATL	RHX YQ22ATL	3D081604	RHX YQ10ATL	3D081603
RHX YQ30ATL	RHX YQ22ATL	3D081604	RHX YQ8ATL	3D081603
RHX YQ28ATL	RHX YQ16ATL	3D081604	RHX YQ12ATL	3D081603
RHX YQ26ATL	RHX YQ16ATL	3D081604	RHX YQ10ATL	3D081603
RUX YQ34AB	RUX YQ22AB	3D081604	RUX YQ12AB	3D081603
RUX YQ32AB	RUX YQ22AB	3D081604	RUX YQ10AB	3D081603
RUX YQ30AB	RUX YQ22AB	3D081604	RUX YQ8AB	3D081603
RUX YQ28AB	RUX YQ16AB	3D081604	RUX YQ12AB	3D081603
RUX YQ26AB	RUX YQ16AB	3D081604	RUX YQ10AB	3D081603

Unit (mm)
3D082276D