



Air Conditioning

SUBMITTAL DATA SHEET

MODEL: Heat Pump 60Hz - RHXYQ34ATL

PROJECT NAME:

Location:	Approval:
Engineer:	Date:
Submitted to:	Construction:
Submitted by:	Unit #:
Reference:	Drawing #:

FEATURES AND BENEFITS

Large capacity unit. A single VRV IV outdoor unit (RHXYQ-A) capacity ranges from 8 HP to 22 HP in increments of 2 HP, and the capacity of a triple outdoor unit system is up to 66 HP

Offers compact outdoor units to achieve maximum utilization of expensive space in modern buildings.

Long piping length provides more design flexibility, which can match even large-sized buildings.

High-efficiency DC Inverter Scroll Compressor with high-pressure and low-pressure chambers, which can dramatically enhance compression efficiency by making full use of the compression chamber.

VRT technology, automatically adjusts refrigerant temperature to individual building and climate requirement, thus further improving annual energy efficiency and maintaining comfort.

New generation intelligent control main PC board with SMT packaging that improves the anti-clutter performance and protects your computer boards from the adverse effect of sandy and humid weather.

Chip liquid-cooled isothermal technology which cools the main PC board with low temperature refrigerant and takes away large amount of heat emitted by main PC board.

Double Backup Operation Functions.

More Accurate Test Operation and Stable System.

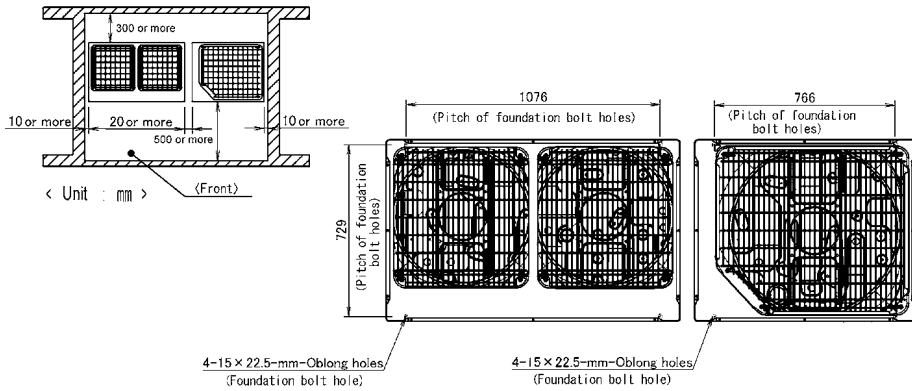
EXTERNAL APPEARANCE



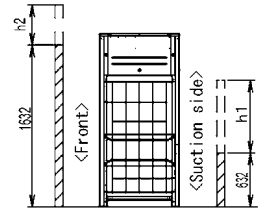
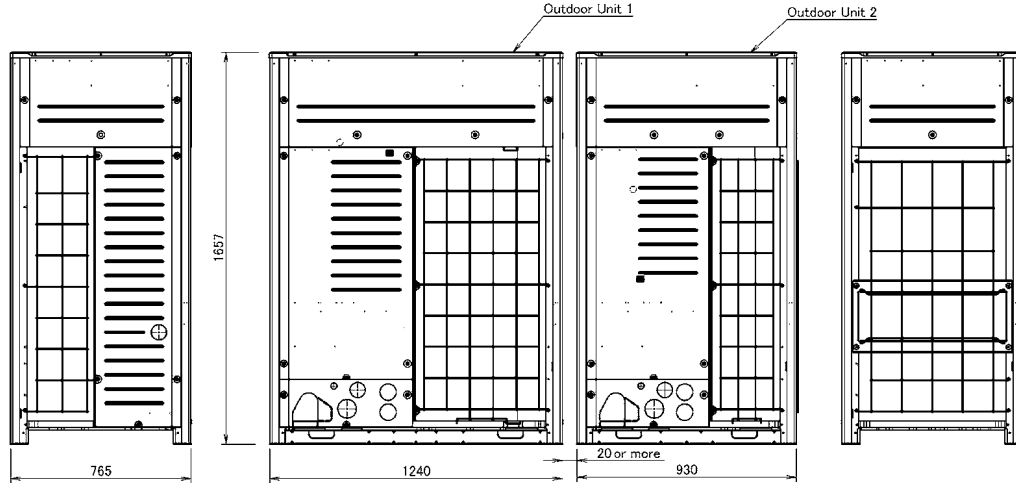
SPECIFICATIONS

Model Name		RHXYQ34ATL (RHXYQ12ATL + RHXYQ22ATL)	
Power Supply		3 phase, 220V, 60 Hz	
*1 Cooling Capacity	kcal/h	79,600	
	Btu/h	316,000	
	kW	92.5	
*2 Heating Capacity	kcal/h	92,000	
	Btu/h	365,000	
	kW	107.0	
Casing Color		Ivory White (5Y7.5/1)	
Dimensions: (H×W×D)		mm	(1,657×930×765)+(1,657×1,240×765)
Heat Exchanger		Cross Fin Coil	
Compressor	Type	Hermetically Sealed Scroll Type	
	Motor Output× Number of Units	kW	((4.1+4.4)×1)+((5.0+7.4)×1)
	Starting Method	Soft Start	
Fan	Type	Propeller Fan	
	Motor Output	kW	(0.75×2)+(0.75×2)
	Airflow Rate	m ³ /min	233+271
	Drive	Direct Drive	
Connecting Pipes	Liquid Pipe	mm	φ19.1 (Brazeing Connection)
	Gas Pipe	mm	φ31.8 (Brazeing Connection)
Mass		kg	285+317
*3 Sound pressure level		dB(A)	65
Safety Devices		High Pressure Switch, Fan Driver Overload Protector, Over Current Relay, Inverter Overload Protector	
Defrost Method		Reverse cycle defrosting	
Capacity Control		%	5-100
Refrigerant	Refrigerant Name	R410A	
	Charge	kg	6.9+8.6
	Control	Electronic Expansion Valve	
Refrigerator Oil		Refer to the nameplate of compressor	
Standard Accessories		Installation Manual, Operation Manual, Connection Pipes, Clamps	
Drawing No.	Specification	—	
	Sound level	—	
Notes:			
*1. Indoor temp.: 27°CDB, 19°CWB / outdoor temp.: 35°CDB / Equivalent piping length: 7.5m, level difference: 0m.			
*2. Indoor temp.: 20°CDB / outdoor temp.: 7°CDB, 6°CWB / Equivalent piping length: 7.5m, level difference: 0m.			
*3. Anechoic chamber conversion value, measured at a point 1 m in front of the unit at a height of 1.5 m. During actual operation, these values are normally somewhat higher as a result of ambient conditions.			
4. Refer to Capacity Tables for the power input (PI) (Compressor + Outdoor fan motor).			

DIMENSIONS



- Notes :
- Heights of walls
 - Front : 1632mm
 - Suction side : 632mm
 - Side : Height unrestricted
 - The installation space shown in this figure is based on the condition of cooling operation at the outdoor air temperature of 35°C. The installation space of suction side shown above must be expanded in the following case.
 - Design outdoor temperature becomes over 35°C.
 - Operating over Max. operating load (In case of causing a heavy heating load at indoor unit side)
 - If the above wall heights are exceeded then h1/2 and h2/2 should be added to the front and suction side service spaces respectively as shown in the following figure.
 - When installing the units the most appropriate pattern should be selected from those shown above in order to obtain the best fit in the space available always bearing in mind the need to leave enough room for a person to pass between units and wall and for the air to circulate freely. (If more units are to be installed than are catered for in the above patterns your layout should take account of the possibility of short circuits.)
 - The units should be installed to leave sufficient space at the front for the on site refrigerant piping work to be carried out comfortably.



MODEL	OUTDOOR UNIT 1	DWG. NO.	OUTDOOR UNIT 2	DWG. NO.
RHXYQ34ATL	RHXYQ22ATL	3D081604	RHXYQ12ATL	3D081603
RHXYQ32ATL	RHXYQ22ATL	3D081604	RHXYQ10ATL	3D081603
RHXYQ30ATL	RHXYQ22ATL	3D081604	RHXYQ8ATL	3D081603
RHXYQ28ATL	RHXYQ16ATL	3D081604	RHXYQ12ATL	3D081603
RHXYQ26ATL	RHXYQ16ATL	3D081604	RHXYQ10ATL	3D081603
RUXYQ34AB	RUXYQ22AB	3D081604	RUXYQ12AB	3D081603
RUXYQ32AB	RUXYQ22AB	3D081604	RUXYQ10AB	3D081603
RUXYQ30AB	RUXYQ22AB	3D081604	RUXYQ8AB	3D081603
RUXYQ28AB	RUXYQ16AB	3D081604	RUXYQ12AB	3D081603
RUXYQ26AB	RUXYQ16AB	3D081604	RUXYQ10AB	3D081603

Unit (mm)
3D082276D