



# Air Conditioning

# SUBMITTAL DATA SHEET

## MODEL: Heat Recovery 50Hz - REYQ18TAY1

<b>PROJECT NAME:</b>	
Location:	Approval:
Engineer:	Date:
Submitted to:	Construction:
Submitted by:	Unit #:
Reference:	Drawing #:

### FEATURES AND BENEFITS

The new VRV R series enables simultaneous operation of cooling and heating within a single refrigerant piping circuit by controlling the BS unit. This series also substantially improves energy efficiency by recycling exhaust heat.

Modern office buildings are highly airtight and subject to an increasing heat load due to the use of computers, lighting equipment and other office equipment. In these buildings some rooms may require artificial cooling even in winter, depending on the amount of sunshine received and the number of people in the room. In order to meet such requirements the Heat Recovery Series enables the simultaneous operation of cooling and heating by controlling the BS unit that switches cooling and heating. This series also substantially improves energy efficiency by recycling waste heat.

Development of a highly efficient heat exchanger utilizing of a two-split structure in a conventional system, two heat exchanger panels are utilized: one is used as an evaporator; while the other is used as a condenser. In the newly developed system, a two-split structure is utilized, with one panel split into two parts (top and bottom) at an optimal ratio depending on the capacity required for simultaneous cooling and heating operation. Heat radiation loss has been minimized, and the heat recovery efficiency and partial load characteristics have been improved.

VRT Smart Control optimally supply only for the needed capacity of indoor units Daikin developed VRT smart control by combining air volume control (VAV: Variable Air Volume) for indoor units with conventional VRT control, which optimizes compressor speed by calculating the required load for the entire system and optimal target refrigerant temperature based on data sent from each indoor unit. Coordination with the air volume control reduces compressor load and minimizes operation loss based on detailed control. VRT smart control ensures energy savings and comfortable air conditioning to meet actual operating conditions.

Comfort low operation sound night time quiet operation function for areas with stringent restrictions placed on outdoor sound levels, the outdoor unit can be set for low operation sound during the nighttime to meet sound restrictions. Large airflow, high static pressure and quiet technology.

Compact design with high performance highly integrated heat exchanger, optimized inner design to ensure smooth airflow, electric components were downsized and positioned in the dead space of the bell mouth side to decrease airflow resistance. Sufficient cooling for electrical components

High reliability at high ambient temperatures it is possible to keep operation stable even at high ambient temperatures by cooling the inverter power module.

Outer Rotor DC Motor (ODM) Only Daikin has adapted an ODM with the feature of stable rotation and volumetric efficiency.

Easy maintenance the electrical components are strategically located on the top which eases the maintenance process. Moreover, the heat exchanger on the front side can be used effectively to improve its performance. Without affecting the fan volume, the electric components are designed to be at the top and this utilizes dead space. This eliminates the problem of suction resistance.

Long piping length provides more design flexibility, which can match even large-sized buildings.

### EXTERNAL APPEARANCE

## VRV R SERIES



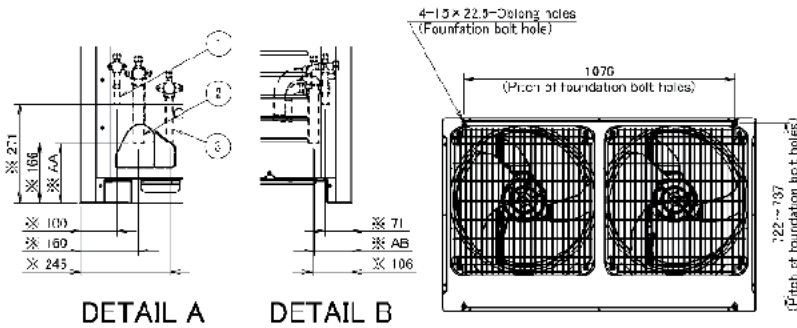
INVERTER R-410A



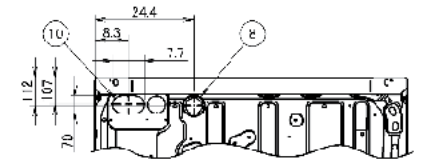
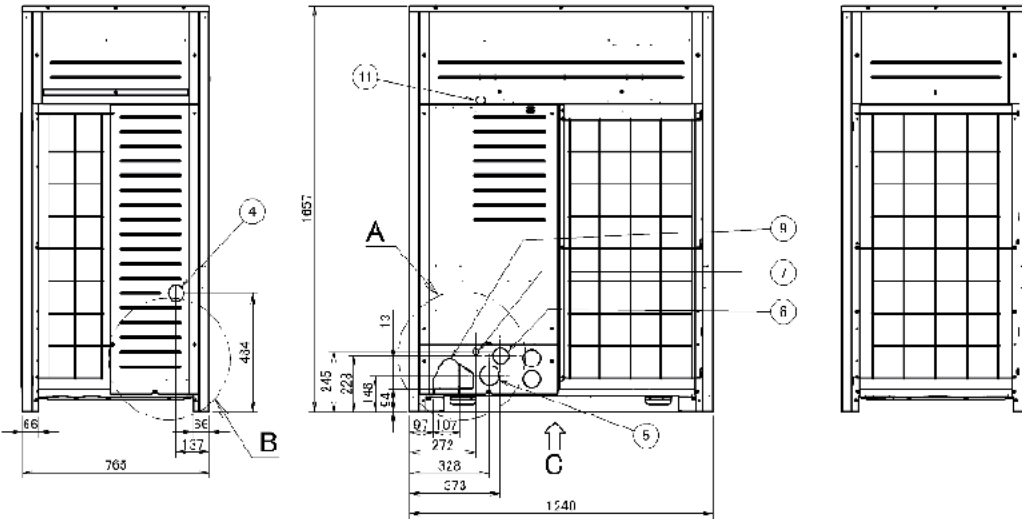
### SPECIFICATIONS

Model Name		<b>REYQ18TAY1</b>		
Power supply		3 phase, 380-415 V, 50 Hz		
*1 Cooling capacity	kcal/h	43.000		
	Btu/h	171.000		
	kW	50,0		
*2 Heating capacity	kcal/h	48.200		
	Btu/h	191.000		
	kW	56,0		
Casing colour		Ivory white (5Y7.5/1)		
Dimensions: (HxWxD)		mm	1,657x1,240x765	
Heat exchanger		Cross fin coil		
Compressor	Type	Hermetically sealed scroll type		
	Motor outputx Number of units	kW	(3.6x1)+(5.0x1)	
	Starting method		Soft start	
Fan	Type	Propeller fan		
	Motor output	kW	0.60x2	
	Airflow rate	m³/min	226	
		l/s	3.767	
	cfm	7.978		
Drive	Direct drive			
Connecting pipes	Liquid pipe	mm	f15.9 C1220T (Brazing connection)	
	Gas pipe	mm	f28.6 C1220T (Brazing connection)	
	High and low pressure gas pipe	mm	f22.2 C1220T (Brazing connection)	
Mass	kg	342		
*3 Sound pressure level	dB(A)	62		
Sound power level	dB(A)	83		
Safety devices		High pressure switch, Fan driver overload protector, Over current relay, Inverter overload protector		
Capacity control	%	8-100		
Refrigerant	Refrigerant name		R410A	
	Charge	kg	11,8	
	Control		Electronic expansion valve	
Refrigerator oil		Refer to the nameplate of compressor		
Standard accessories		Installation manual, Operation manual, Connection pipes, Clamps		
Drawing No.	Specifications	C: 3D117047		
	Sound level	C: 4D096876A		
Notes:				
*1. Indoor temp.: 27°CDB, 19°CWB / outdoor temp.: 35°CDB / Equivalent piping length: 7.5 m, level difference: 0 m.				
*2. Indoor temp.: 20°CDB, 15°CWB / outdoor temp.: 7°CDB, 6°CWB / Equivalent piping length: 7.5 m, level difference: 0 m.				
*3. Anechoic chamber conversion value, measured at a point 1 m in front of the unit at a height of 1.5 m.				
During actual operation, these values are normally somewhat higher as a result of ambient conditions and oil recovery mode.				
When there is concern for noise the surrounding area such as residences, we recommend investigating the installation location and taking soundproofing measures.				

### DIMENSIONS



- NOTES:
1. DIMENSION OF 1/8" MARK IS EXCLUDE PINCH PIPE
  2. 11/8" ID. O RINGS 011-401F
  3. LIQUID PIPE CONNECTING PORT  
 Φ12.7 BRAZING CONNECTION: REYQ14・16・18・201  
 GAS PIPE CONNECTING PORT  
 Φ25.4 BRAZING CONNECTION: REYQ14・161  
 Φ28.6 BRAZING CONNECTION: REYQ18・201  
 Φ19.1 BRAZING CONNECTION: REYQ14・16・18・201
  4. FOR REYQ18・201, FIELD MAIN PIPE DIAMETER (LIQUID SIDE AND PIPE CONNECTING PORT DIAMETER) IS DIFFERENCE FOR REYQ14・16・18・201, FIELD MAIN PIPE (HIGH PRESSURE GAS SIDE AND PIPE CONNECTING PORT) DIAMETER IS DIFFERENCE.



VIEW C

MODEL	AA	AB
REYQ14・16	153	106
REYQ18・20	161	101

No.	Item name	Remarks
1	Liquid pipe diameter port	See Note 3.1
2	Gas pipe diameter port	See Note 3.2
3	High pressure gas pipe diameter port	See Note 3.3
4	Power cord purchase location	610
5	Power cord purchase location	420
6	Power cord purchase location	455
7	Power cord purchase location	437
8	Power cord purchase location	455
9	Flare nut, vehicle thread	
10	Flare nut, vehicle lock nut	
11	Foundation bolt hole	See Note 3.4 (AA)

Unit: mm  
3D091906A