

PROJECT NAME:

Location:	Approval:
Engineer:	Date:
Submitted to:	Construction:
Submitted by:	Unit #:
Reference:	Drawing #:

FEATURES AND BENEFITS

The new VRV R series enables simultaneous operation of cooling and heating within a single refrigerant piping circuit by controlling the BS unit. This series also substantially improves energy efficiency by recycling exhaust heat.

Modern office buildings are highly airtight and subject to an increasing heat load due to the use of computers, lighting equipment and other office equipment. In these buildings some rooms may require artificial cooling even in winter, depending on the amount of sunshine received and the number of people in the room. In order to meet such requirements the Heat Recovery Series enables the simultaneous operation of cooling and heating by controlling the BS unit that switches cooling and heating. This series also substantially improves energy efficiency by recycling waste heat.

Development of a highly efficient heat exchanger utilizing of a two-split structure in a conventional system, two heat exchanger panels are utilized: one is used as an evaporator; while the other is used as a condenser. In the newly developed system, a two-split structure is utilized, with one panel split into two parts (top and bottom) at an optimal ratio depending on the capacity required for simultaneous cooling and heating operation. Heat radiation loss has been minimized, and the heat recovery efficiency and partial load characteristics have been improved.

VRT Smart Control optimally supply only for the needed capacity of indoor units Daikin developed VRT smart control by combining air volume control (VAV: Variable Air Volume) for indoor units with conventional VRT control, which optimizes compressor speed by calculating the required load for the entire system and optimal target refrigerant temperature based on data sent from each indoor unit. Coordination with the air volume control reduces compressor load and minimizes operation loss based on detailed control. VRT smart control ensures energy savings and comfortable air conditioning to meet actual operating conditions.

Comfort low operation sound night time quiet operation function for areas with stringent restrictions placed on outdoor sound levels, the outdoor unit can be set for low operation sound during the nighttime to meet sound restrictions. Large airflow, high static pressure and quiet technology.

Compact design with high performance highly integrated heat exchanger, optimized inner design to ensure smooth airflow, electric components were downsized and positioned in the dead space of the bell mouth side to decrease airflow resistance. Sufficient cooling for electrical components

High reliability at high ambient temperatures it is possible to keep operation stable even at high ambient temperatures by cooling the inverter power module.

Outer Rotor DC Motor (ODM) Only Daikin has adapted an ODM with the feature of stable rotation and volumetric efficiency.

Easy maintenance the electrical components are strategically located on the top which eases the maintenance process. Moreover, the heat exchanger on the front side can be used effectively to improve its performance. Without affecting the fan volume, the electric components are designed to be at the top and this utilizes dead space. This eliminates the problem of suction resistance.

Long piping length provides more design flexibility, which can match even large-sized buildings.

EXTERNAL APPEARANCE

VRV R SERIES



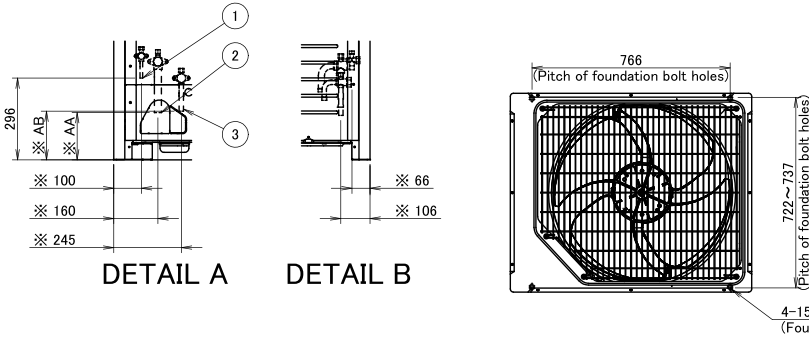
SPECIFICATIONS

Model Name		REYQ6TAY1		
Power supply		3 phase, 380-415 V, 50 Hz		
*1 Cooling capacity	kcal/h	13.800		
	Btu/h	54.600		
	kW	16,0		
*2 Heating capacity	kcal/h	15.500		
	Btu/h	61.400		
	kW	18,0		
Casing colour		Ivory white (5Y7.5/1)		
Dimensions: (HxWxD)		mm	1,657x930x765	
Heat exchanger		Cross fin coil		
Compressor	Type	Hermetically sealed scroll type		
	Motor output× Number of units	kW	2.3×1	
	Starting method	Soft start		
Fan	Type	Propeller fan		
	Motor output	kW	0.50×1	
	Airflow rate	m ³ /min	119	
		l/s	1.983	
Drive	cfm		4.201	
Connecting pipes	Liquid pipe	mm	f9.5 C1220T (Brazeing connection)	
	Gas pipe	mm	f19.1 C1220T (Brazeing connection)	
	High and low pressure gas pipe	mm	f15.9 C1220T (Brazeing connection)	
Mass	kg	215		
*3 Sound pressure level	dB(A)	56		
Sound power level	dB(A)	77		
Safety devices		High pressure switch, Fan driver overload protector, C relay, Inverter overload protector		
Capacity control		%	20-100	
Refrigerant	Refrigerant name		R410A	
	Charge	kg	9,7	
	Control		Electronic expansion valve	
Refrigerator oil		Refer to the nameplate of compressor		
Standard accessories		Installation manual, Operation manual, Connection p		
Drawing No.	Specifications	C: 3D117047		
	Sound level	C: 4D117389		

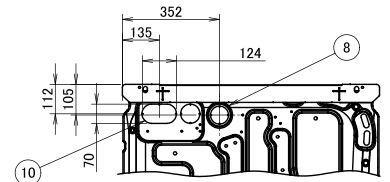
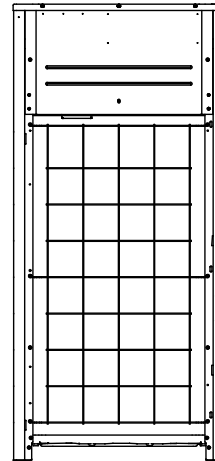
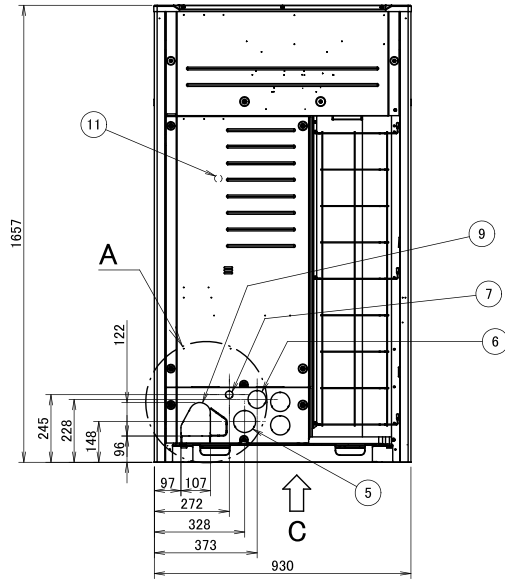
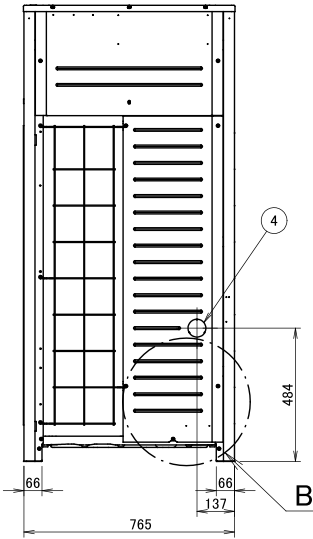
Notes:

- *1. Indoor temp.: 27°CDB, 19°CWB / outdoor temp.: 35°CDB / Equivalent piping length: 7.5 m, level difference: 0 m.
 - *2. Indoor temp.: 20°CDB, 15°CWB / outdoor temp.: 7°CDB, 6°CWB / Equivalent piping length: 7.5 m, level difference: 0 m.
 - *3. Anechoic chamber conversion value, measured at a point 1 m in front of the unit at a height of 1.5 m.
- During actual operation, these values are normally somewhat higher as a result of ambient conditions and oil recovery mode. When there is concern for noise the surrounding area such as residences, we recommend investigating the installation location and taking soundproofing measures.

DIMENSIONS



- NOTES:
1. DIMENSION OF ※ MARK IS EXCLUDE PINCH PIPE.
 2. ITEM 4 TO 10. KNOCK OUT HOLE.
 3. LIQUID PIPE CONNECTING PORT
 - Φ9.5 BRAZING CONNECTION: REY06 • 8 • 10 • 12T
 - GAS PIPE CONNECTING PORT
 - Φ19.1 BRAZING CONNECTION: REY06 • 8T
 - Φ25.4 BRAZING CONNECTION: REY010 • 12T
 - HIGH-LOW PRESSURE GAS PIPE CONNECTING PORT
 - Φ15.9 BRAZING CONNECTION: REY06 • 8T
 - Φ19.1 BRAZING CONNECTION: REY010 • 12T
 4. FOR REY012T, FIELD MAIN PIPE DIAMETER LIQUID SIDE AND PIPE CONNECTING PORT DIAMETER IS DIFFERENCE. FOR REY010 • 12T, FIELD MAIN PIPE DIAMETER SUCTION GAS SIDE AND PIPE CONNECTING PORT DIAMETER IS DIFFERENCE.



MODEL	AA	AB
REYQ6 • 8T	206	176
REYQ10 • 12T	153	166

No.	Parts name	Remarks
1	Liquid pipe connection port	See note 3, 4
2	Gas pipe connection port	See note 3, 4
3	High-low pressure gas pipe connection port	See note 3
4	Power cord routing hole (side)	Φ65
5	Power cord routing hole (front)	Φ60
6	Power cord routing hole (front)	Φ65
7	Power cord routing hole (front)	Φ27
8	Power cord routing hole (bottom)	Φ65
9	Pipe routing hole (front)	
10	Pipe routing hole (bottom)	
11	Grounding terminal	Inside of switch box (M8)

Unit: mm
3D091888A