

PROJECT NAME:

Location:	Approval:
Engineer:	Date:
Submitted to:	Construction:
Submitted by:	Unit #:
Reference:	Drawing #:

FEATURES AND BENEFITS

VRT Smart Control optimally supply only for the needed capacity of indoor units Daikin developed VRT smart control by combining air volume control (VAV: Variable Air Volume) for indoor units with conventional VRT control, which optimizes compressor speed by calculating the required load for the entire system and optimal target refrigerant temperature based on data sent from each indoor unit. Coordination with the air volume control reduces compressor load and minimizes operation loss based on detailed control. VRT smart control ensures energy savings and comfortable air conditioning to meet actual operating conditions.

Automatic refrigerant charge function automatically determines the optimal amount of refrigerant to be charged. This function prevents a capacity shortage or energy loss due to excessive or insufficient refrigerant. It can also be used again when adding or replacing indoor units or even when changing the layout after installation.

Comfort low operation sound night time quiet operation function for areas with stringent restrictions placed on outdoor sound levels, the outdoor unit can be set for low operation sound during the nighttime to meet sound restrictions. Large airflow, high static pressure and quiet technology.

Compact design with high performance highly integrated heat exchanger, optimized inner design to ensure smooth airflow, electric components were downsized and positioned in the dead space of the bell mouth side to decrease airflow resistance. Sufficient cooling for electrical components High reliability at high ambient temperatures it is possible to keep operation stable even at high ambient temperatures by cooling the inverter power module.

Easy maintenance the electrical components are strategically located on the top which eases the maintenance process. Moreover, the heat exchanger on the front side can be used effectively to improve its performance. Without affecting the fan volume, the electric components are designed to be at the top and this utilizes dead space. This eliminates the problem of suction resistance.

Connection ratio 50% - 200% VRV H series outdoor unit has achieved high external static pressure up to 78.4 Pa, ensuring the efficient heat dissipation and stable operation of equipment in either hierarchical or intensive arrangement.

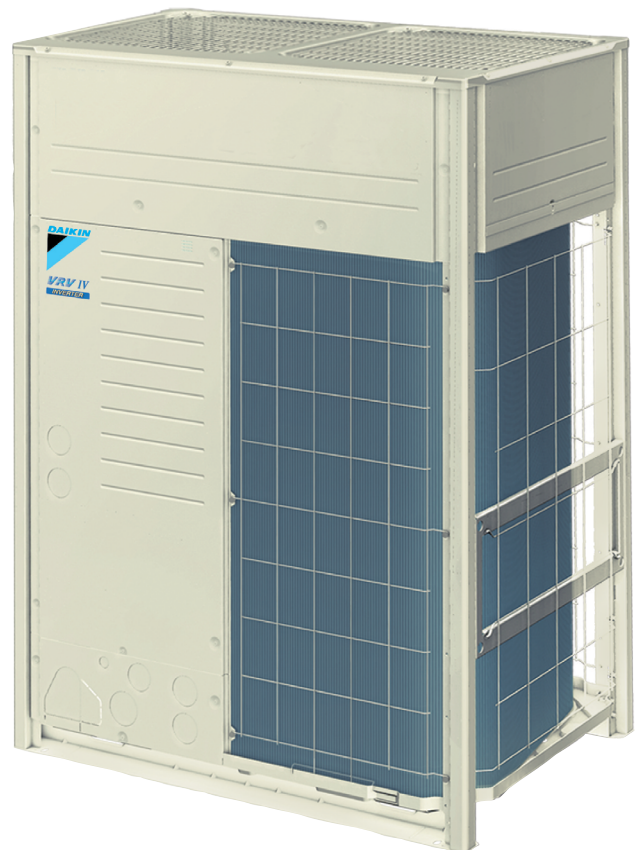
Simplified commissioning and after-sales service Simplified commissioning and after-sales service VRV H series utilizes 7-segment luminous digital tubes to display system operation information, enabling the operational state to be visually displayed

Wide operation temperature range up to 49°C goes all the way down to -20°C, while cooling can be performed with outdoor temperatures as high as 49°C.

Automatic sequencing operation During start-up, will be automatically enabled to ensure balance operation of each outdoor unit to improve longevity of equipment and operation stability.

EXTERNAL APPEARANCE

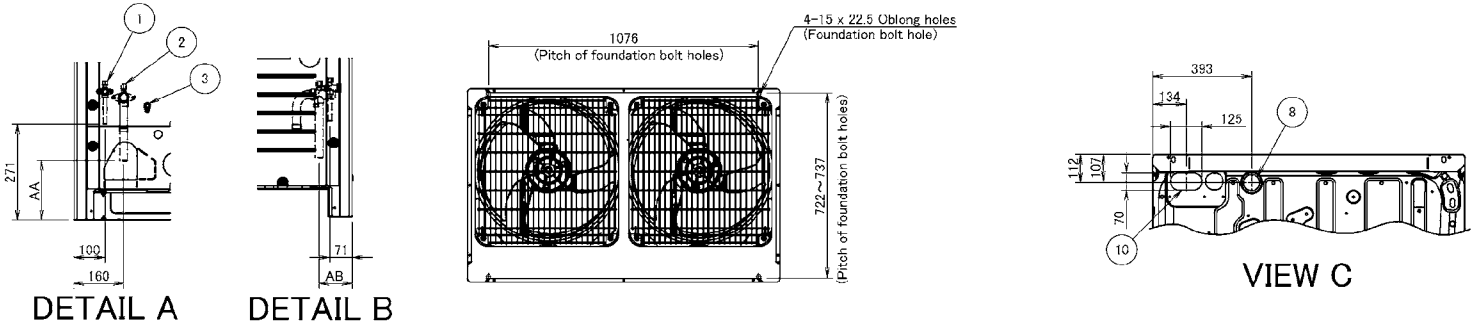
VRV H SERIES



SPECIFICATIONS

Model Name		RXYQ18AYM	
Power supply		3 phase, 380-415/380 V, 50/60 Hz	
*1 Cooling capacity	kcal/h	43,000	
	Btu/h	171,000	
	kW	50.0	
*2 Heating capacity	kcal/h	48	
	Btu/h	191	
	kW	56.0	
Casing colour		Ivory white (5Y7.5/1)	
Dimensions: (H×W×D)		mm	1,657×1,240×765
Heat exchanger		Cross fin coil	
Compressor	Type	Hermetically sealed scroll type	
	Motor output× Number of units	kW	(4.1×1)+(4.0×1)
	Starting method		Soft start
Fan	Type	Propeller fan	
	Motor output	kW	0.75×2
	Airflow rate	m ³ /min	252
	Drive		Direct drive
Connecting pipes	Liquid pipe	mm	φ15.9 C1220T (Brazing connection)
	Gas pipe	mm	φ28.6 C1220T (Brazing connection)
Mass		kg	305
*3 Sound pressure level		dB(A)	61
Safety devices		High pressure switch, Fan driver overload protector, Over current relay, Inverter overload protector	
Capacity control		%	10-100
Refrigerant	Refrigerant name		R410A
	Charge	kg	11.8
	Control		Electronic expansion valve
Refrigerator oil		Refer to the nameplate of compressor	
Standard accessories		Installation manual, Operation manual, Connection pipes, Clamps	
Drawing No.	Specifications		C: 3D114930A
	Sound level		C: 4D115547
Notes:			
*1. Indoor temp.: 27°CDB, 19°CWB / outdoor temp.: 35°CDB / Equivalent piping length: 7.5 m, level difference: 0 m.			
*2. Indoor temp.: 20°CDB, 15°CWB / outdoor temp.: 7°CDB, 6°CWB / Equivalent piping length: 7.5 m, level difference: 0 m.			
*3. Anechoic chamber conversion value, measured at a point 1 m in front of the unit at a height of 1.5 m.			
During actual operation, these values are normally somewhat higher as a result of ambient conditions and oil recovery mode.			
When there is concern for noise the surrounding area such as residences, we recommend investigating the installation location and taking soundproofing measures.			

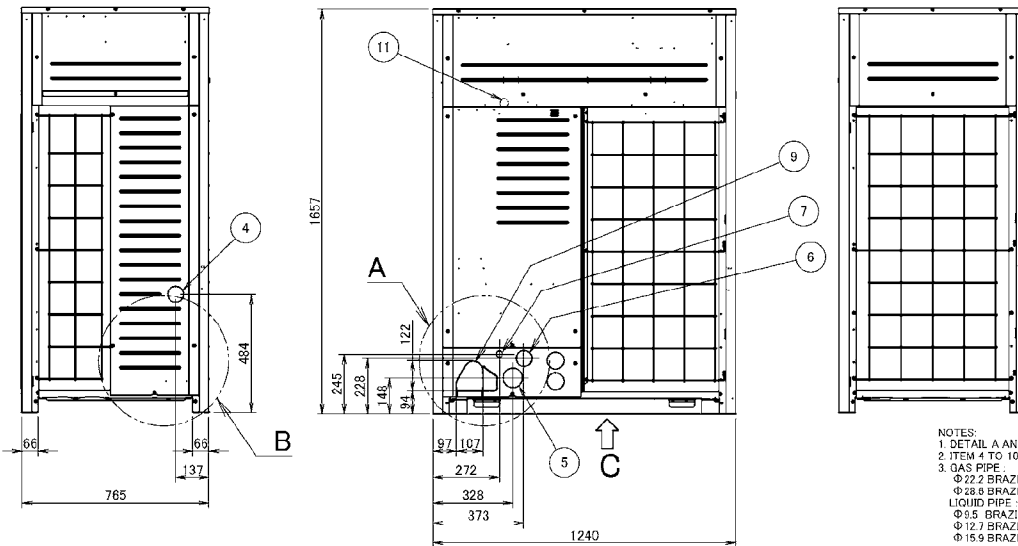
DIMENSIONS



DETAIL A

DETAIL B

VIEW C



Model	AA	AB
RXYQ14, 16, 18AY	171	106
RXLQ10, 12, 14, 16, 18AY		
RXYQ20AY	161	101
RXUQ20AY		

No.	Parts name	Remark
1	Liquid pipe connection port	See note 3.
2	Gas pipe connection port	See note 3.
3	Refrigerant charge port	
4	Power cord routing hole (side)	Φ65
5	Power cord routing hole (front)	Φ80
6	Power cord routing hole (front)	Φ65
7	Transmission wire routing hole (front)	Φ27
8	Power cord routing hole (bottom)	Φ65
9	Pipe routing hole (front)	
10	Pipe routing hole (bottom)	
11	Grounding terminal	Inside of switch box (MB)

NOTES:
 1. DETAIL A AND DETAIL B INDICATE THE DIMENSIONS AFTER FIXING THE ATTACHED PIPING.
 2. ITEM 4 TO 10 KNOCK OUT HOLE.
 3. GAS PIPE
 Φ22.2 BRAZING CONNECTION: RXUQ10AY
 Φ28.5 BRAZING CONNECTION: RXYQ14, 16, 18, 20AY, RXUQ12, 14, 16, 18, 20AY
 LIQUID PIPE -
 Φ13.5 BRAZING CONNECTION: RXUQ10AY
 Φ12.7 BRAZING CONNECTION: RXYQ14, 18AY, RXUQ12, 14, 16AY
 Φ15.9 BRAZING CONNECTION: RXYQ18, 20AY, RXUQ18, 20AY

Unit: mm
 3D111515B