

### PROJECT NAME:

Location:	Approval:
Engineer:	Date:
Submitted to:	Construction:
Submitted by:	Unit #:
Reference:	Drawing #:

### FEATURES AND BENEFITS

#### New panel design

This model features a stylish flat panel with fresh white color for a new sophisticated appearance.

The flat flaps close entirely when the unit is not operating and there are no air intake grilles visible.

#### Individual Airflow Direction Control \*1

Airflow direction can be individually adjusted for each air discharge outlet to deliver optimal air distribution.

\*1. Applicable when wired remote controller BRC1E63 is used.

#### Switchable fan speed: 5 steps and Auto

Control of airflow rate has been improved from 3-step to 5-step. Auto airflow rate is newly available.

#### Suitable for high ceilings

Even in spaces with high ceilings maximum 3.5 m, a comfortable airflow is carried down to the floor level.

#### Energy saving: Reduction of energy consumption

Power consumption is significantly reduced by specially developed small tube heat exchanger and DC fan motor.

#### Enhanced functions from various aspects such as maintenance

The flap parts are easy to clean because it is hard to condensate and get dirty.

Drain pump is equipped as standard accessory with 850 mm lift.

Check contamination in drain pan by simply remove suction grille and panel. Equipped with long life filter which requires only 1-year maintenance interval.

Adjuster pockets mount at four corners of the unit enable to adjust the main unit without removing the panel.

An antibacterial treatment that uses silver ions has been applied to the drain pan, preventing the growth of slime, mould and bacteria that cause blockages and odours. (The lifespan of a silver ion cartridge depends on the usage environment, but should be changed once every two to three years.)

### EXTERNAL APPEARANCE



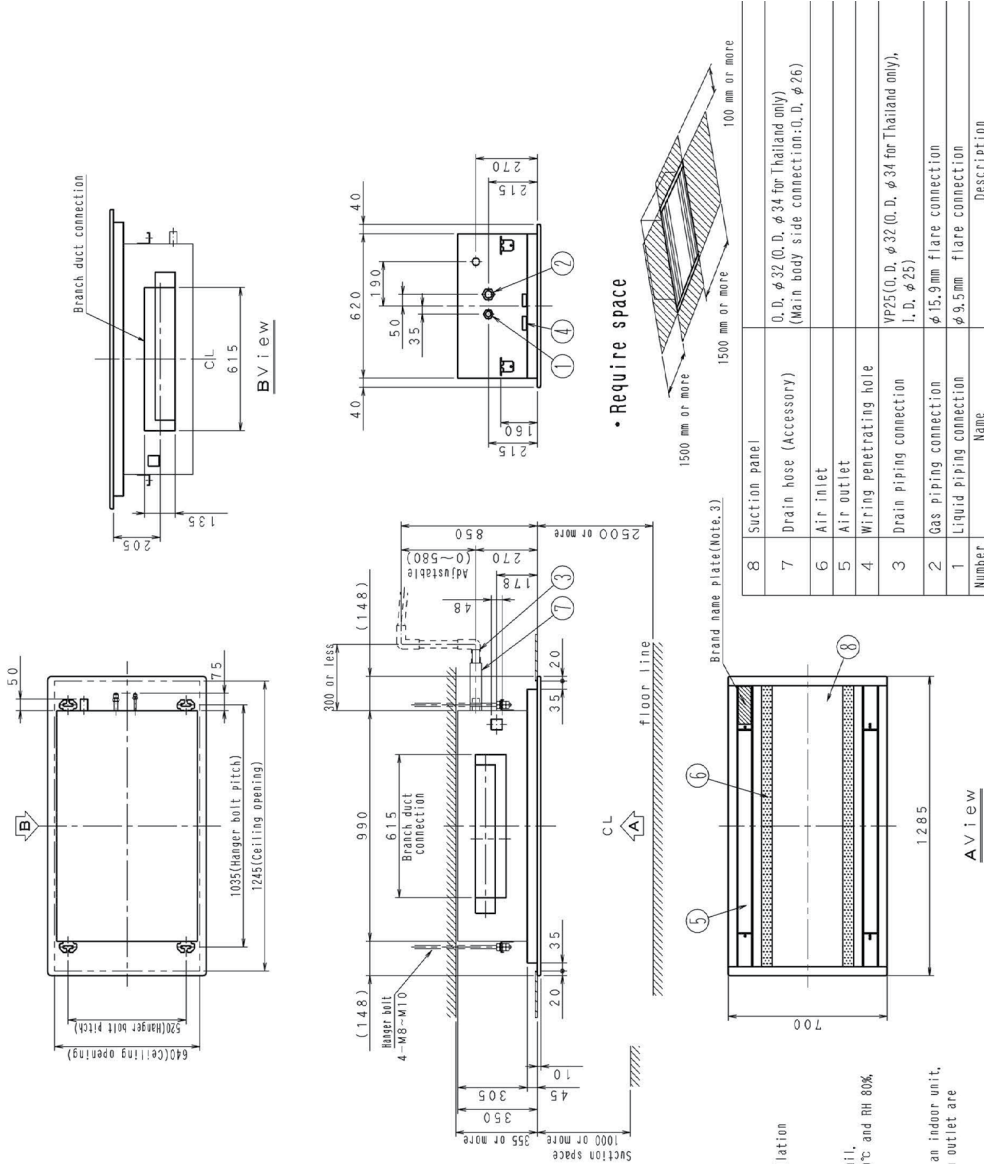
R-410A

### SPECIFICATIONS

Model		FXCQ63AVM		
*1 Power supply		1 phase, 220-240/220-230 V, 50/60 Hz		
*2 *5 Cooling capacity	kcal/h	6,100		
	Btu/h	24,200		
	kW	7.1		
*3 *5 Heating capacity	kcal/h	6,900		
	Btu/h	27,300		
	kW	8.0		
Power input	Cooling	kW	0.063	
	Heating	kW	0.060	
Casing / Colour		Galvanized steel plate		
Dimensions: (H×W×D)		mm	305×990×620	
Coil (Cross fin coil)	Rows × Stages × Fin pitch	mm	(3×16×1.2)×2	
	Face area	m <sup>2</sup>	2×0.218	
Fan	Model	EHDS14ADK		
	Type	Turbo fan		
	Motor output × Number of units	W	106×1	
	Airflow rate (H/HM/M/MLL)	m <sup>3</sup> /min	16/15/14/12.5/11.5	
		l/s	267/250/233/208/192	
	cfm	565/530/494/441/406		
Drive		Direct drive		
Temperature control		Microprocessor thermostat for cooling and heating		
Piping connections	Liquid pipes	mm	φ9.5 (Flare connection)	
	Gas pipes	mm	φ15.9 (Flare connection)	
	*4 Drain pipe	mm	VP25 (External dia. 32) Internal dia. 25	
Mass	kg	25		
*6 Sound pressure level (H/HM/M/MLL)	dB(A)	39.0/38.0/37.0/34.5/32.0		
Safety devices		Fuse		
Refrigerant control		Electronic expansion valve		
Decoration panels (Option)	Model	BYBCQ63CF		
	Panel colour	Fresh White (6.5Y9.5/0.5)		
	Dimensions: (H×W×D)	mm	55×1,285×700	
	Air filter	Resin net (with mould resistance)		
Mass	kg	11		
Standard accessories		Operation manual, Installation manual, Declaration of conformity, Installation pattern paper, Washer for hanger, Metal clamp, Drain hose, Joint insulation materials, Washer clamp, Sealing materials, Clamps, Screws, Insulation piping cover for drain piping		
Drawing No.	Specification	C: 3D117680A		
	Sound level	C: 4D118224B		
<b>Notes:</b> *1. Indoor temp.: 27°CDB, 19°CWB / outdoor temp.: 35°CDB / Equivalent piping length: 7.5 m, level difference: 0 m. *2. Indoor temp.: 20°CDB, 15°CWB / outdoor temp.: 7°CDB, 6°CWB / Equivalent piping length: 7.5 m, level difference: 0 m. *3. Capacities are net, including a deduction for cooling (an addition for heating) for indoor fan motor heat. *4. Anechoic chamber conversion value, measured at a point 1.5 m downward from the unit center. During actual operation, these values are normally somewhat higher as a result of ambient conditions.				

### DIMENSIONS

Unit: mm



- Notes:
1. Sticking location for manufacturer's label
  2. Manufacturer's label for indoor unit
  3. Suction panel inner side's control box lid surface
  4. Manufacturer's label for decoration panel
  5. Suction panel inner side's panel frame surface
  6. When installing an optional accessory, refer to the installation drawings.
  7. In case of using wireless remote controller, this position will be a signal receiver.
  8. Refer to the drawing of wireless remote controller in detail.
  9. When the temperature and humidity in the ceiling exceed 30°C and RH 80%, the additional insulation is required.
  10. Insulation: Thickness 10mm or more.
  11. Glass wool or polyethylene foam.
  12. Please do not place the thing over jump and trouble under an indoor unit.
  13. When the case where humidity is 80% or more, and the drain outlet are clogged up and the air filter are dirty, dew may fall.

Number	Name	Description
8	Suction panel	
7	Drain hose (Accessory)	O. D. $\phi$ 32 (O. D. $\phi$ 34 for Thailand only) (Main body side connection: O. D. $\phi$ 26)
6	Air inlet	
5	Air outlet	
4	Wiring penetrating hole	
3	Drain piping connection	VP25 (O. D. $\phi$ 32 (O. D. $\phi$ 34 for Thailand only), I. D. $\phi$ 25)
2	Gas piping connection	$\phi$ 15.9mm flare connection
1	Liquid piping connection	$\phi$ 9.5mm flare connection

EDMT391908 3D117670A