

PROJECT NAME:

Location:	Approval:
Engineer:	Date:
Submitted to:	Construction:
Submitted by:	Unit #:
Reference:	Drawing #:

FEATURES AND BENEFITS

Comfort

Auto swing (up and down) and louvres (left and right by hand) bring comfort to the room.

Louvre manually adjusts for straight or wide angle airflow.

Quiet operation

Uses quiet stream fan and other quiet technologies. (FXHQ32-100MA)

Easy maintenance

Non-dew flap

Condensation does not easily form on and dirt does not cling to non-dew flap. It is easy to clean.

Easy-clean, flat surfaces

It is easy to wipe dirt off the flat side and lower surfaces of the unit.

Oil-resistant plastic is used for the air suction grille. This satisfies durability in restaurants and other similar environments.

Note: Intended for use in salons, dining rooms, and ordinary sales floors, this specification is not suitable for kitchens or other harsh environments.

Installation flexibility

Flexible installation

The unit fits more snugly into tight spaces.

Drain pump kit (option) can be easily incorporated.

Drain pipe connection can be done inside the unit. Refrigerant and drain pipe outlets are at the same opening.

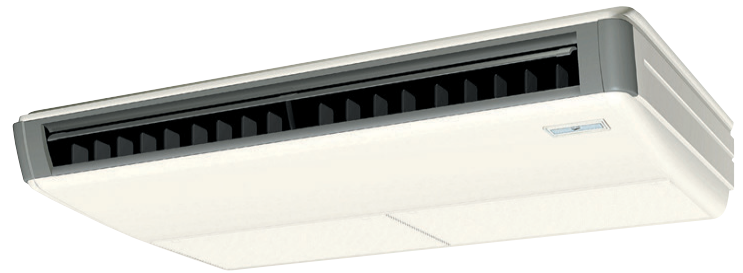
DIII-NET communication standard

Connection to a centralised control system is available, no need for option card.

All wiring and internal servicing can be done from under the unit.

Easier piping work for rear side by removable frame

EXTERNAL APPEARANCE



R-410A

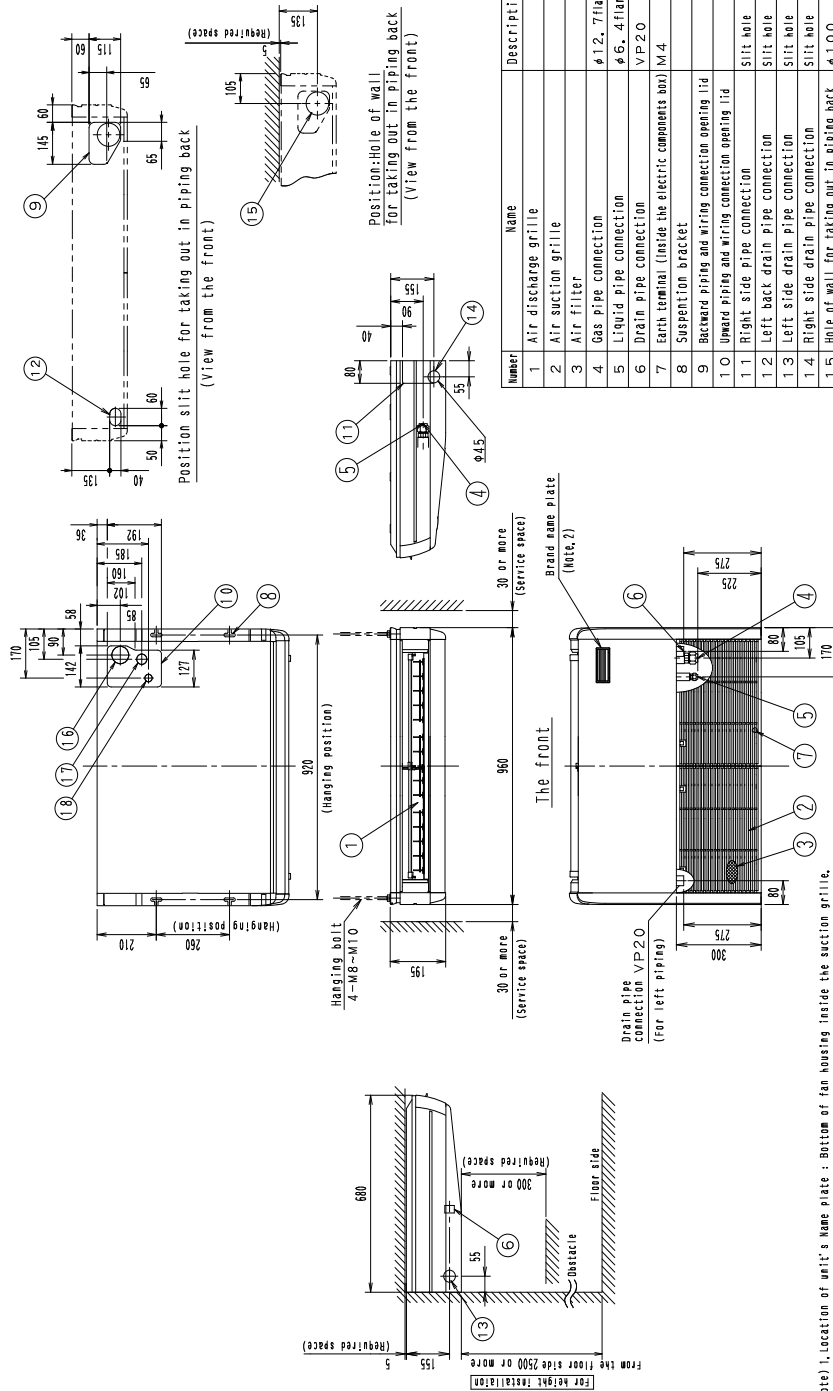
SPECIFICATIONS

Model			FXHQ32MAVE	
Power supply			1 phase, 220-240/220 V, 50/60 Hz	
*1 *3 Cooling capacity			kcal/h	3,100
			Btu/h	12,300
			kW	3.6
*2*3 Heating capacity			kcal/h	3,400
			Btu/h	13,600
			kW	4.0
Power input	Cooling	50 Hz	kW	0.111
		60 Hz	kW	0.142
	Heating	50 Hz	kW	0.111
		60 Hz	kW	0.142
Casing / Colour			White (10Y9/0.5)	
Dimensions: (HxWxD)			mm	195x960x680
Coil (Cross fin coil)	Rows x Stages x Fin pitch		mm	2x12x1.75
	Face area		m ²	0.182
Fan	Model		3D12K1AA1	
	Type		Sirocco fan	
	Motor output x Number of units		W	62x1
	Airflow rate (H/L)		m ³ /min	12/10
			l/s	200/166
			cfm	424/353
Drive		Direct drive		
Temperature control			Microprocessor thermostat for cooling and heating	
Sound absorbing thermal insulation material			Glass wool	
Air filter			Resin net (with mold resistant)	
Piping Connections	Liquid pipes		mm	φ6.4 (Flare connection)
	Gas pipes		mm	φ12.7 (Flare connection)
	Drain pipe		mm	VP20 (External dia. 26, Internal dia. 20)
Mass			kg	24
*4 Sound pressure level (H/L)			dB(A)	36/31
Safety devices			Fuse, Thermal protector for fan motor	
Refrigerant control			Electronic expansion valve	
Standard accessories			Operation manual, Installation manual, Drain hose, Paper pattern for installation, Clamp metal, Insulation for fitting, Clamps, Washers	
Drawing No.	Specification		C: 3D038815A	
	Sound level		C: 4D035301	
<p>Notes:</p> <p>*1. Indoor temp.: 27°CDB, 19°CWB / outdoor temp.: 35°CDB / Equivalent piping length: 7.5 m, level difference: 0 m. *2. Indoor temp.: 20°CDB / outdoor temp.: 7°CDB, 6°CWB / Equivalent piping length: 7.5 m, level difference: 0 m. *3. Capacities are net, including a deduction for cooling (an addition for heating) for indoor fan motor heat.</p> <p>*4. Anechoic chamber conversion value, measured at a point 1 m in front of the unit and 1 m downward. During actual operation, these values are normally somewhat higher as a result of ambient conditions.</p>				

DIMENSIONS

MODEL: CEILING SUSPENDED 50/60 Hz - FXHQ32MAVE

Unit: mm



Number	Name	Description
1	Air discharge grille	
2	Air suction grille	
3	Air filter	
4	Gas pipe connection	φ 12, 7flare
5	Liquid pipe connection	φ 6, 4 flare
6	Drain pipe connection	VP20
7	Earth terminal (inside the electric components box)	IM 4
8	Suspension bracket	
9	Backward piping and wiring connection opening lid	
10	Upward piping and wiring connection opening lid	
11	Right side pipe connection	Sit hole
12	Left back drain pipe connection	Sit hole
13	Left side drain pipe connection	Sit hole
14	Right side drain pipe connection	Sit hole
15	Hole of wall for taking out in piping back	φ 100
16	Upward drain pipe connection	φ 60
17	Upward gas pipe connection	φ 36
18	Upward liquid pipe connection	φ 26

Note 1. Location of unit's name plate : Bottom of fan housing inside the suction grille.
 2. In case of using wireless remote controller, this position will be a signal receiver. Refer to the drawing of wireless remote controller in detail.
 3. (0.5mmX2.0mmX0.45mm) the standard "about 30 outside the machine" attached. (It is not attached to VAV.)

3D038855A