

### PROJECT NAME:

Location:	Approval:
Engineer:	Date:
Submitted to:	Construction:
Submitted by:	Unit #:
Reference:	Drawing #:

### FEATURES AND BENEFITS

#### Comfort

Auto swing (up and down) and louvres (left and right by hand) bring comfort to the room.

Louvre manually adjusts for straight or wide angle airflow.

#### Quiet operation

Uses quiet stream fan and other quiet technologies. (FXHQ32-100MA)

#### Easy maintenance

##### Non-dew flap

Condensation does not easily form on and dirt does not cling to non-dew flap. It is easy to clean.

##### Easy-clean, flat surfaces

It is easy to wipe dirt off the flat side and lower surfaces of the unit.

Oil-resistant plastic is used for the air suction grille. This satisfies durability in restaurants and other similar environments.

**Note:** Intended for use in salons, dining rooms, and ordinary sales floors, this specification is not suitable for kitchens or other harsh environments.

#### Installation flexibility

##### Flexible installation

The unit fits more snugly into tight spaces.

Drain pump kit (option) can be easily incorporated.

Drain pipe connection can be done inside the unit. Refrigerant and drain pipe outlets are at the same opening.

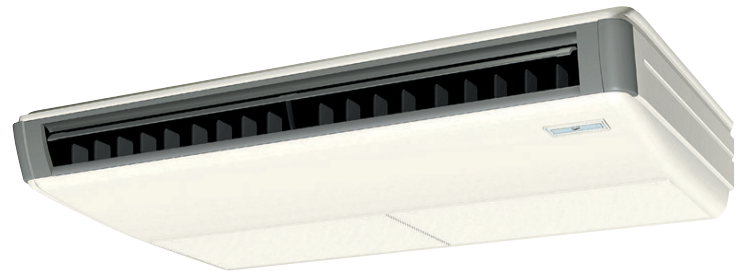
DIII-NET communication standard

Connection to a centralised control system is available, no need for option card.

All wiring and internal servicing can be done from under the unit.

Easier piping work for rear side by removable frame

### EXTERNAL APPEARANCE



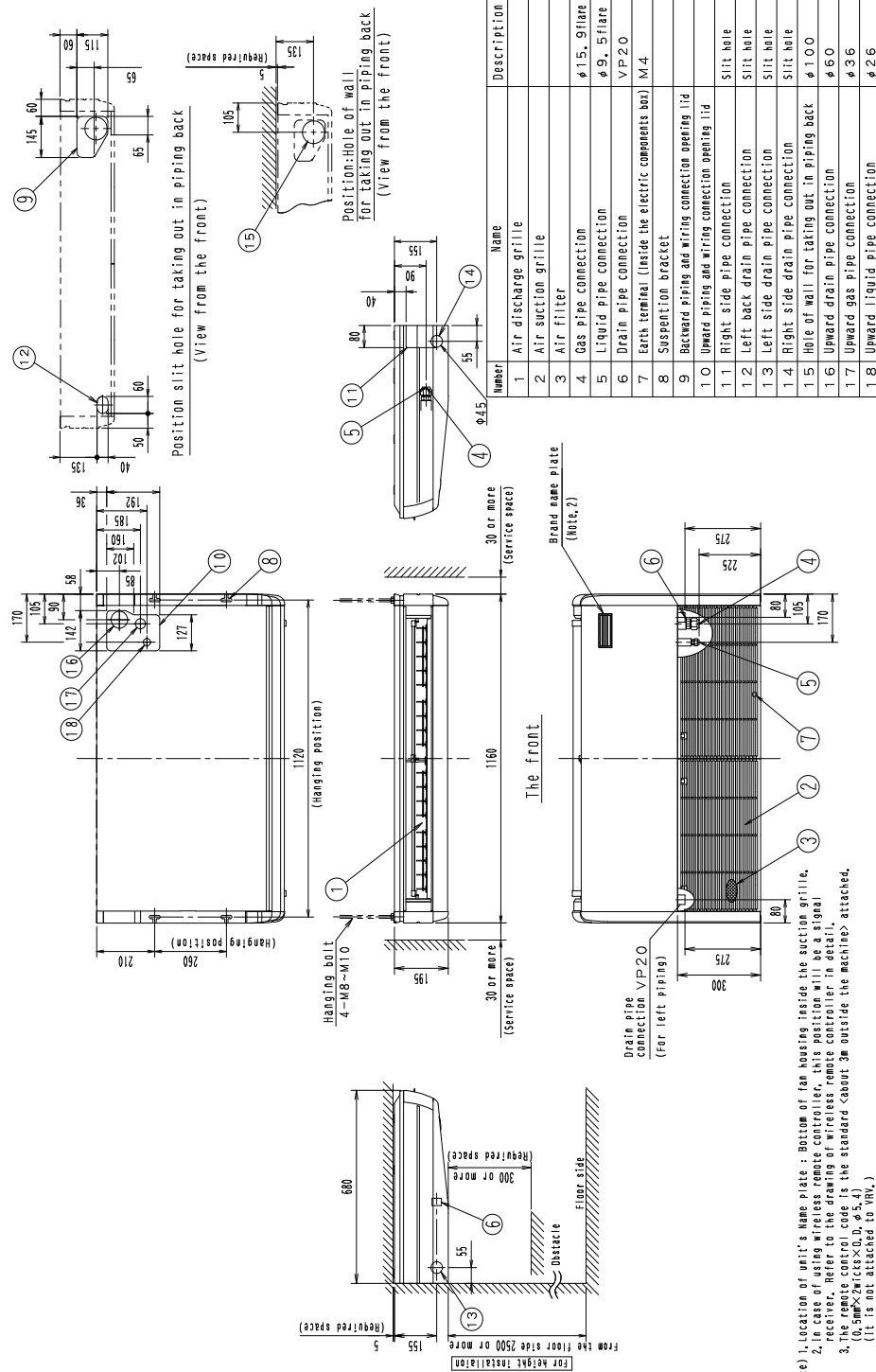
R-410A

### SPECIFICATIONS

Model			FXHQ63MAVE		
Power supply			1 phase, 220-240/220 V, 50/60 Hz		
*1 *3 Cooling capacity			kcal/h	6,100	
			Btu/h	24,200	
			kW	7.1	
*2 *3 Heating capacity			kcal/h	6,900	
			Btu/h	27,300	
			kW	8.0	
Power input	Cooling	50 Hz	kW	0.115	
		60 Hz	kW	0.145	
	Heating	50 Hz	kW	0.115	
		60 Hz	kW	0.145	
Casing / Colour			White (10Y9/0.5)		
Dimensions: (HxWxD)			mm	195x1,160x680	
Coil (Cross fin coil)	Rows x Stages x Fin pitch		mm	3x12x1.75	
	Face area		m <sup>2</sup>	0.233	
Fan	Model		4D12K1AA1		
	Type		Sirocco fan		
	Motor output x Number of units		W	62x1	
	Airflow rate (H/L)			m <sup>3</sup> /min	17.5/14
				l/s	291/233
				cfm	618/494
Drive		Direct drive			
Temperature control			Microprocessor thermostat for cooling and heating		
Sound absorbing thermal insulation material			Glass wool		
Air filter			Resin net (with mold resistant)		
Piping Connections	Liquid pipes	mm	φ9.5 (Flare connection)		
	Gas pipes	mm	φ15.9 (Flare connection)		
	Drain pipe	mm	VP20 (External dia. 26, Internal dia. 20)		
Mass			kg	28	
*4 Sound pressure level (H/L)			dB(A)	39/34	
Safety devices			Fuse, Thermal protector for fan motor		
Refrigerant control			Electronic expansion valve		
Standard accessories			Operation manual, Installation manual, Drain hose, Paper pattern for installation, Clamp metal, Insulation for fitting, Clamps, Washers		
Drawing No.	Specification		C: 3D038815A		
	Sound level		C: 4D035302		
<b>Notes:</b> *1. Indoor temp.: 27°CDB, 19°CWB / outdoor temp.: 35°CDB / Equivalent piping length: 7.5 m, level difference: 0 m. *2. Indoor temp.: 20°CDB / outdoor temp.: 7°CDB, 6°CWB / Equivalent piping length: 7.5 m, level difference: 0 m. *3. Capacities are net, including a deduction for cooling (an addition for heating) for indoor fan motor heat. *4. Anechoic chamber conversion value, measured at a point 1 m in front of the unit and 1 m downward. During actual operation, these values are normally somewhat higher as a result of ambient conditions.					

### DIMENSIONS

Unit: mm



Number	Name	Description
1	Air discharge grille	
2	Air suction grille	
3	Air filter	
4	Gas pipe connection	φ15, 9flare
5	Liquid pipe connection	φ9, 5flare
6	Drain pipe connection	VP20
7	Earth terminal (inside the electric components box)	M4
8	Suspension bracket	
9	Backward piping and wiring connection opening lid	
10	Upward piping and wiring connection opening lid	
11	Right side pipe connection	Slit hole
12	Left back drain pipe connection	Slit hole
13	Left side drain pipe connection	Slit hole
14	Right side drain pipe connection	Slit hole
15	Hole of wall for taking out in piping back	φ100
16	Upward drain pipe connection	φ60
17	Upward gas pipe connection	φ36
18	Upward liquid pipe connection	φ26

Note) 1. Location of unit's name plate - Bottom of fan housing inside the suction grille.  
 2. In case of using wireless remote controller, this position will be a signal receiver. Refer to the drawing of wireless remote controller in detail.  
 3. The remote control code is the standard <about 3m outside the machine> attached. (0.5mm×2times<O.D. φ 5, 4> (It is not attached to VAV,))